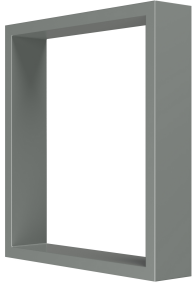
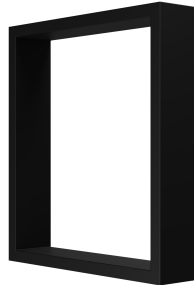


OSLO BENCH LEG

ALUMINUM ARCHITECTURAL SPECIFICATIONS



PART NUMBER:
OSLO-LEG-15-MS-AL
 16.5" x 15" (419mm x 381mm)
OSLO-LEG-20-MS-AL
 16.5" x 20" (419mm x 508mm)
 METALLIC SILVER - ALUMINUM 6061
 PANTONE #877C



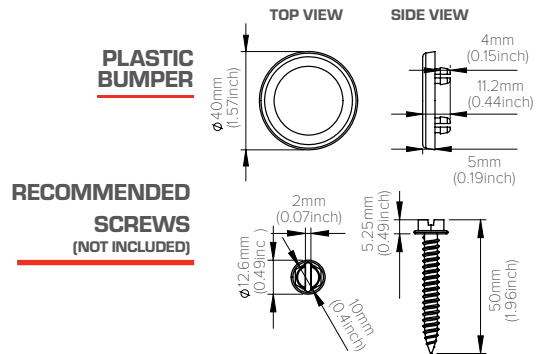
PART NUMBER:
OSLO-LEG-15-MB-AL
 16.5" x 15" (419mm x 381mm)
OSLO-LEG-20-MB-AL
 16.5" x 20" (419mm x 508mm)
 MATTE BLACK - ALUMINUM 6061
 MUNSELL N 2.75/



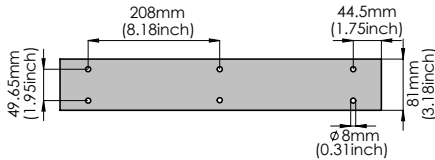
PART NUMBER:
OSLO-LEG-15-MW-AL
 16.5" x 15" (419mm x 381mm)
OSLO-LEG-20-MW-AL
 16.5" x 20" (419mm x 508mm)
 MATTE WHITE - ALUMINUM 6061
 MUNSELL N 9.25/

10% color discrepancy, and custom pricing options apply.

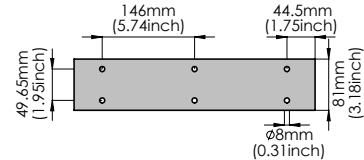
- Measures: 16.5" (419mm) height - available in both 15" (381mm) or 20" (508mm) width
- Material: Aluminum 6061
- Finishes: Metallic Silver, Matte Black, Matte White
- Strength: 2,204 lbs. (1,000 kg) Top Load Resistance per set
- Bumpers: White Plastic bumpers 1.57" x .19" (40mm x 5mm)
- Rust Resistant Material - Perfect for Humid Environments
- When disinfecting, mist with liquid that is at least 70% alcohol solution in order to maintain product integrity



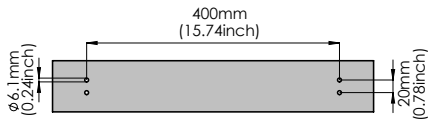
TOP VIEW 20" (508mm)



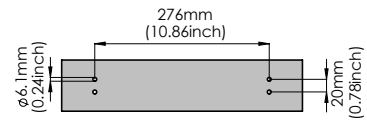
TOP VIEW 15" (381mm)



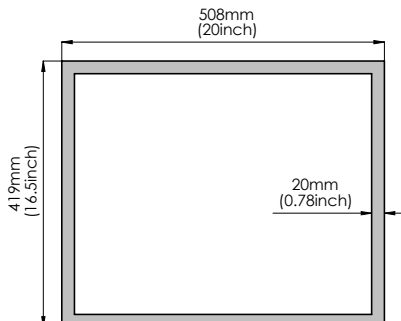
BOTTOM VIEW 20" (508mm)



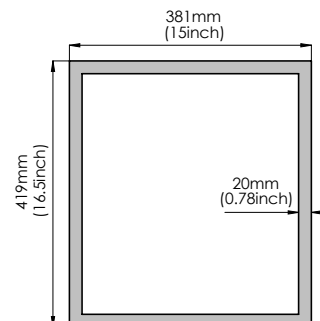
BOTTOM VIEW 15" (381mm)



FRONT VIEW 20" (508mm)



FRONT VIEW 15" (381mm)



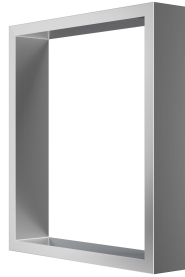
Manufactured By:

KEYLESS.CO

1825 W. Walnut Hill Ln., Suite 102, Irving, TX 75038, USA | +1 972-331-2770 | info@keyless.co | www.keyless.co | V: 12/8/2020

OSLO BENCH LEG

STAINLESS STEEL ARCHITECTURAL SPECIFICATIONS



PART NUMBER:

OSLO-LEG-15-B-SS

16.5" x 15" (419mm x 381mm)
BRUSHED STAINLESS STEEL SUS 304

PART NUMBER:

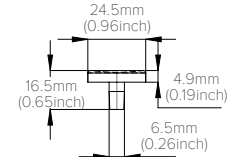
OSLO-LEG-20-B-SS

16.5" x 20" (419mm x 508mm)
BRUSHED STAINLESS STEEL SUS 304

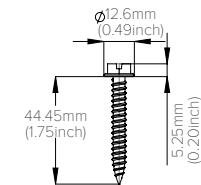
10% color discrepancy, and custom pricing options apply.

- Measures: 16.5" (419mm) height - available in both 15" (381mm) or 20" (508mm) width
- Material: Stainless Steel SUS 304
- Finishes: Brushed Stainless Steel
- Strength: 2,204 lbs. (1,000 kg) Top Load Resistance per set
- Bumpers: White Plastic bumpers .96" x .19" (24mm x 4.9mm)
- Rust Resistant Material - Perfect for Humid Environments
- When disinfecting, mist with liquid that is at least 70% alcohol solution in order to maintain product integrity

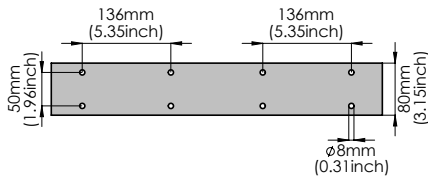
PLASTIC BUMPER



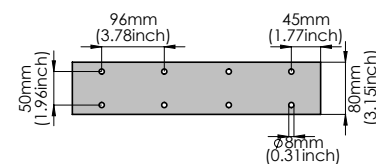
RECOMMENDED SCREWS (NOT INCLUDED)



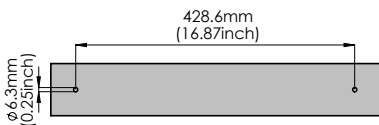
TOP VIEW 20" (508mm)



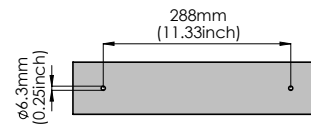
TOP VIEW 15" (381mm)



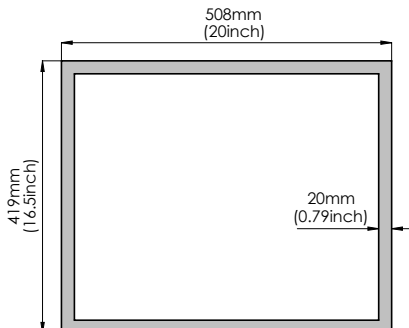
BOTTOM VIEW 20" (508mm)



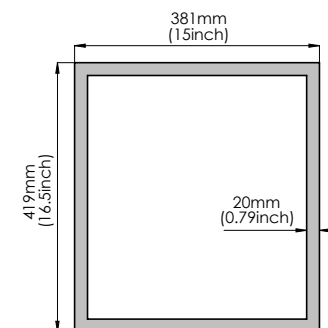
BOTTOM VIEW 15" (381mm)



FRONT VIEW 20" (508mm)



FRONT VIEW 15" (381mm)



Manufactured By:

KEYLESS.CO

1825 W. Walnut Hill Ln., Suite 102, Irving, TX 75038, USA | +1 972-331-2770 | info@keyless.co | www.keyless.co | V: 12/8/2020