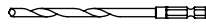


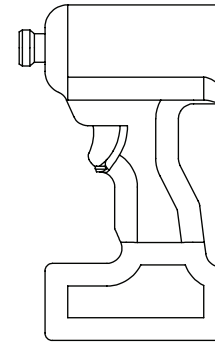
While Keyless360 locks are secure and have a very low defect rate, there may be rare situations where it is necessary to remove the lock in order to open the locker. For example, if the Master Key is missing and the locker is locked with an unknown code, you may need to drill through to open the lock. To do this, you will need a power drill, a 5.5mm drill bit, and a wrench or other tool to hold the knob. Please take caution when drilling, as Keyless.Co warranty does not cover damage to lockers. While grasping the knob with a wrench, place the drill bit directly on the bottom screw head and begin drilling straight, until the bit passes into the door. Repeat the same process for the top screw. Once both screws are drilled through, you can remove the lock and the door will open freely. When it is necessary to do this, you may reach out to Keyless.Co or the locker manufacturer to obtain a new lock.

Required tools:

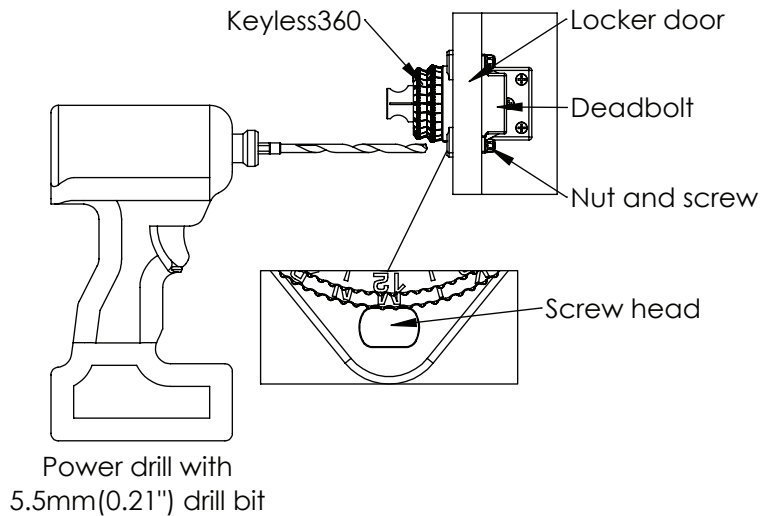
5.5mm(0.21")
Drill Bit



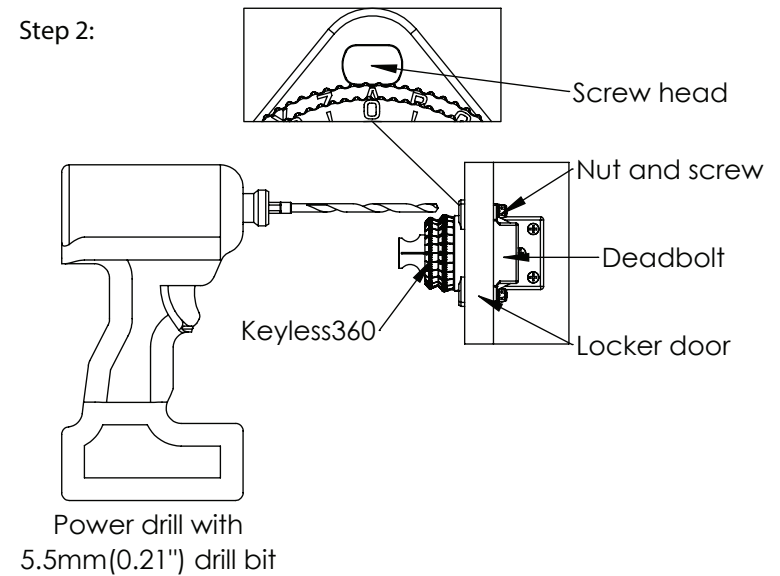
Power Drill



Step 1:



Step 2:



KEYLESS.CO

Office:+1.972.331.2770
info@keyless.co
www.keyless.co

DRAWING
SCALE 1:5

KEYLESS360 EMERGENCY LOCK REMOVAL