



OSLO BENCH LEG

ALUMINUM ARCHITECTURAL SPECIFICATIONS



PART NUMBER:
OSLO-LEG-15-MS-AL
 419mm x 381mm (16.5inch x 15inch)
OSLO-LEG-20-MS-AL
 419mm x 508mm (16.5inch x 20inch)
 METALLIC SILVER - ALUMINUM 6061
 PANTONE #877C



PART NUMBER:
OSLO-LEG-15-MB-AL
 419mm x 381mm (16.5inch x 15inch)
OSLO-LEG-20-MB-AL
 419mm x 508mm (16.5inch x 20inch)
 MATTE BLACK - ALUMINUM 6061
 MUNSELL N 9.25/

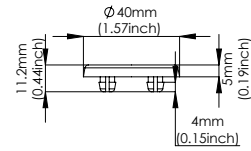


PART NUMBER:
OSLO-LEG-15-MW-AL
 419mm x 381mm (16.5inch x 15inch)
OSLO-LEG-20-MW-AL
 419mm x 508mm (16.5inch x 20inch)
 MATTE WHITE - ALUMINUM 6061
 MUNSELL N 2.75/

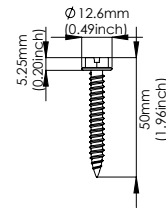
10% color discrepancy and custom pricing options apply.

- Measures: 419mm (16.5inch) tall - available in both 381mm (15inch) or 508mm (20inch) width
- Material: Aluminum 6061
- Finishes: Metallic Silver, Matte Black, Matte White
- 1-Year Limited Warranty
- Strength: 2,204 lbs. (1,000 kg) Top Load Resistance
- Bumpers: White Plastic bumpers 40mm x 5mm (1.57inch x .19inch)
- Rust Resistant Material - Perfect for Humid Environments
- Disinfected by misting with a liquid that is 70%-80% alcohol without damaging the surface

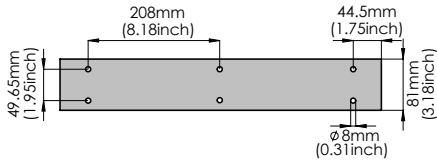
PLASTIC BUMPER



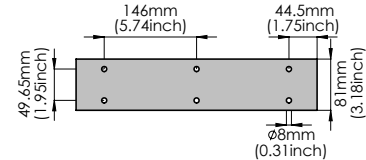
RECOMMENDED SCREW (NOT INCLUDED)



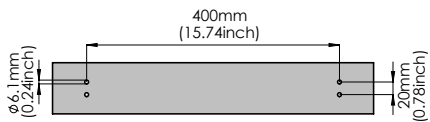
TOP VIEW 508mm (20inch)



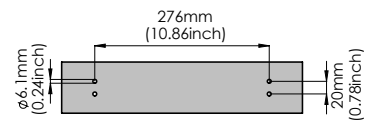
TOP VIEW 381mm (15inch)



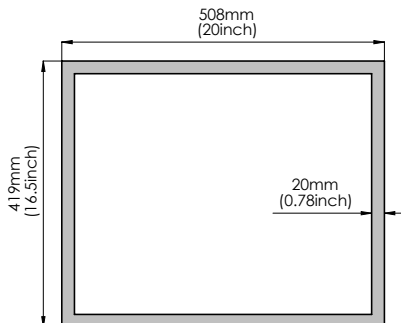
BOTTOM VIEW 508mm (20inch)



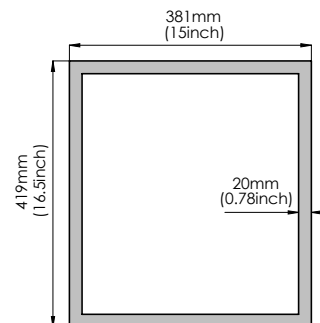
BOTTOM VIEW 381mm (15inch)



FRONT VIEW 508mm (20inch)



FRONT VIEW 381mm (15inch)



Manufactured By:

KEYLESS.CO

1825 W. Walnut Hill Ln., Suite 102, Irving, TX 75038, USA | +1 972-331-2770 | info@keyless.co | www.keyless.co | V: 6/17/2020



OSLO BENCH LEG

STAINLESS STEEL ARCHITECTURAL SPECIFICATIONS



PART NUMBER:
OSLO-LEG-20-B-SS
 419mm x 508mm (16.5inch x 20inch)
 BRUSHED STAINLESS STEEL SUS 304

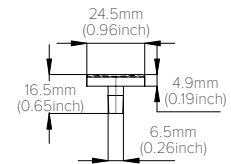


PART NUMBER:
OSLO-LEG-15-B-SS
 419mm x 381mm (16.5inch x 15inch)
 BRUSHED STAINLESS STEEL SUS 304

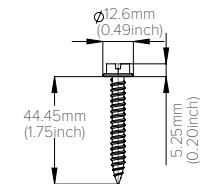
10% color discrepancy and custom pricing options apply.

- Measures: 419mm (16.5inch) tall - available in both 508mm (20inch) or 381mm (15inch) width
- Material: Stainless Steel SUS 304
- Finishes: Brushed Stainless Steel
- 1-Year Limited Warranty
- Strength: 2,204 lbs. (1,000 kg) Top Load Resistance
- Bumpers: White Plastic bumpers 24mm x 4.9mm (.96inch x .19inch)
- Rust Resistant Material - Perfect for Humid Environments
- Disinfected by misting with a liquid that is 70%-80% alcohol without damaging the surface

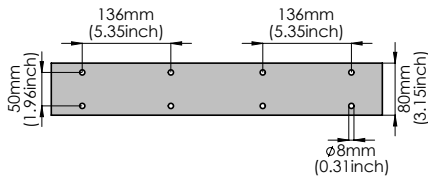
PLASTIC BUMPER



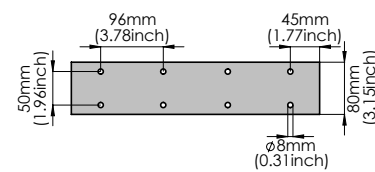
RECOMMENDED SCREW (NOT INCLUDED)



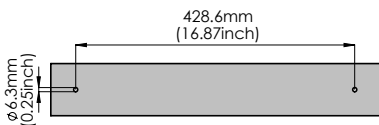
TOP VIEW 508mm (20inch)



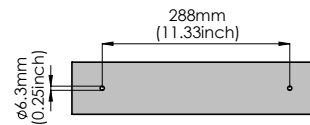
TOP VIEW 381mm (15inch)



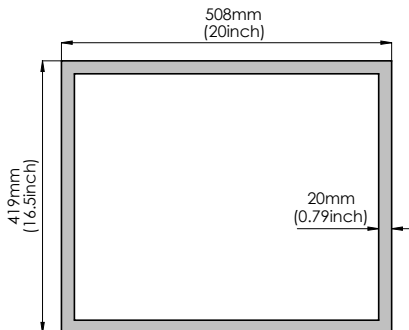
BOTTOM VIEW 508mm (20inch)



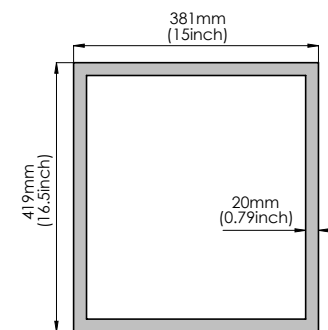
BOTTOM VIEW 381mm (15inch)



FRONT VIEW 508mm (20inch)



FRONT VIEW 381mm (15inch)



Manufactured By:

KEYLESS.CO

1825 W. Walnut Hill Ln., Suite 102, Irving, TX 75038, USA | +1 972-331-2770 | info@keyless.co | www.keyless.co | V: 6/17/2020