

TEPA KNOB

ARCHITECTURAL SPECIFICATIONS



PART NUMBER:
TEPA-KNOB-SN

STANDARD FINISH:
SATIN NICKEL



PART NUMBER:
TEPA-KNOB-MB

PREMIUM FINISH:
MATTE BLACK
MUNSELL N2/



PART NUMBER:
TEPA-KNOB-MW

PREMIUM FINISH:
MATTE WHITE
MUNSELL N9/



PART NUMBER:
TEPA-KNOB-SG

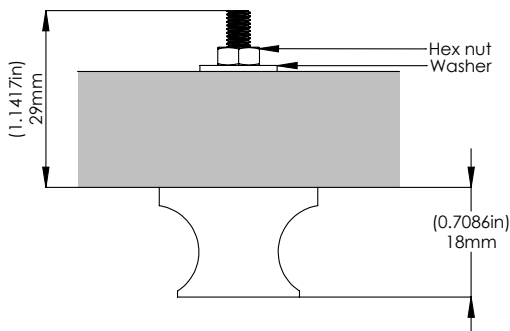
PREMIUM FINISH:
SATIN GOLD
PANTONE #871C

10% color discrepancy and custom pricing options apply.

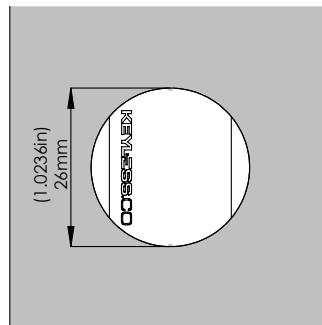
- Material: Aluminum 6061
- Fits door thickness minimum 1mm and maximum 25mm
- IP69K - Complete dust and water resistance

- Disinfected by misting with a liquid that is 70%-80% alcohol without damaging the surface
- Ergonomic non-slip grip

TOP VIEW

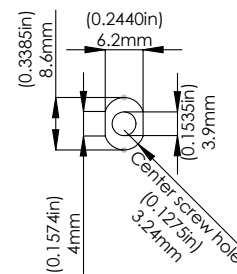


FRONT VIEW

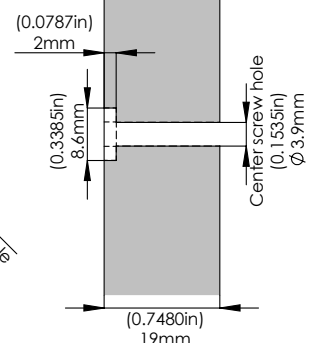


DOOR ROUTING

FRONT VIEW



SIDE VIEW



Manufactured By:

KEYLESS.CO

1825 W. Walnut Hill Ln., Suite 102, Irving, TX 75038, USA | +1 972-331-2770 | info@keyless.co | www.keyless.co | V: 6/17/2020