

HULO CARD HOLDER

ARCHITECTURAL SPECIFICATIONS



PART NUMBER:
HULO-CHOLD-SN

STANDARD FINISH:
SATIN NICKEL



PART NUMBER:
HULO-CHOLD-MB

PREMIUM FINISH:
MATTE BLACK
MUNSELL N2/



PART NUMBER:
HULO-CHOLD-MW

PREMIUM FINISH:
MATTE WHITE
MUNSELL N9/



PART NUMBER:
HULO-CHOLD-SG

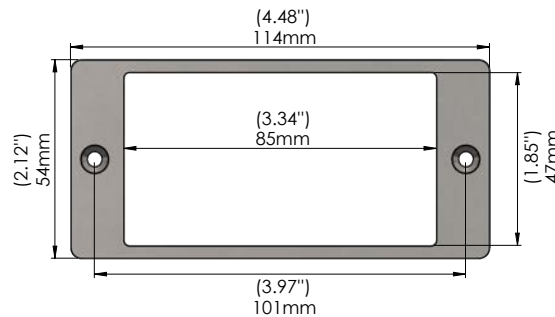
PREMIUM FINISH:
SATIN GOLD
PANTONE #871C

10% color discrepancy and custom pricing options apply.

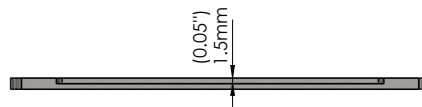
- Material: Zink Alloy
- Finishes: Satin Nickel, Matte Black, Matte White, Satin Gold
- Screws are not included but recommended
- Minimum card size: 48mm [1.88 inch] x 86mm [3.38 inch]
- Maximum card size: 52mm [2.04 inch] x 89mm [3.50 inch]

- Maximum card thickness: 1.5mm [0.05 inch]
- Disinfected by misting with a liquid that is 70%-80% alcohol without damaging the surface

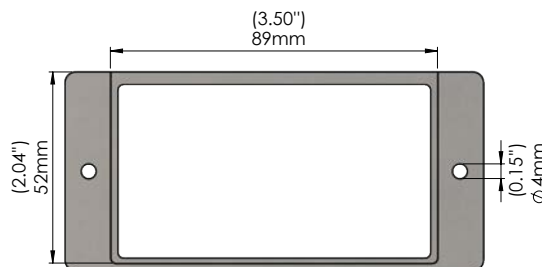
FRONT VIEW



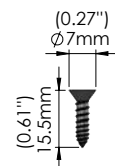
TOP VIEW



BACK VIEW



RECOMMENDED SCREWS X2



Manufactured By:

KEYLESS.CO

1825 W. Walnut Hill Ln., Suite 102, Irving, TX 75038, USA | +1 972-331-2770 | info@keyless.co | www.keyless.co | V: 6/17/2020