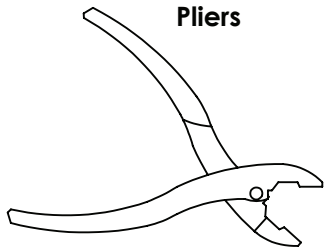
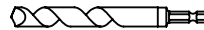


While Keyless1 locks are secure and have a very low defective rate, there may be rare situations where it is necessary to remove the lock in order to open the locker. For example, if the master key is missing and the locker is locked with an unknown code, you may need to drill through to open the lock. To do this, you will need a power drill with a 1/2"(12.7mm) drillbit, and a pliers or a similar tool to hold the knob. Please take caution when drilling, as for the Keyless.Co warranty does not cover damage to lockers. While grasping the knob with pliers, place the drillbit in the center of the knob and begin drilling. You will drill all the way through the lock until the cam assembly falls off of the back of the lock. The locker will then open freely. In the event of an emergency lock removal, please contact Keyless.Co or the locker manufacturer to report the damaged lock and obtain a new lock.

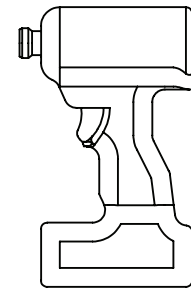
REQUIRED TOOLS



1/2"(12.7mm)
Drill Bit

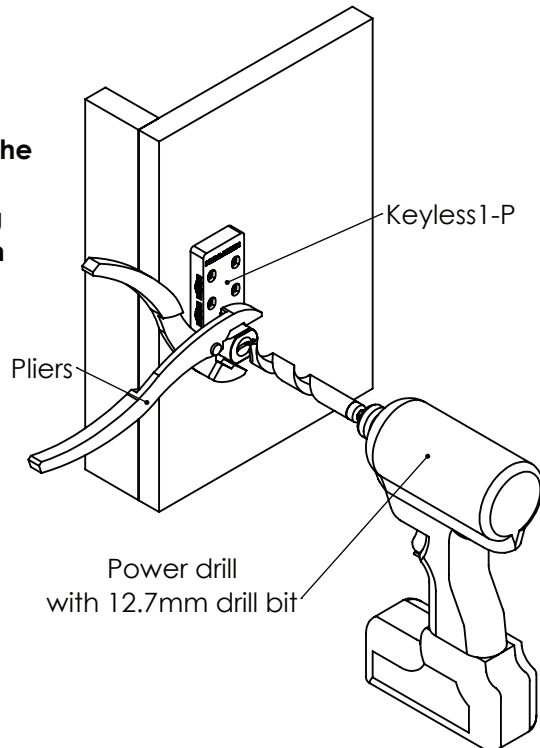


Power Drill



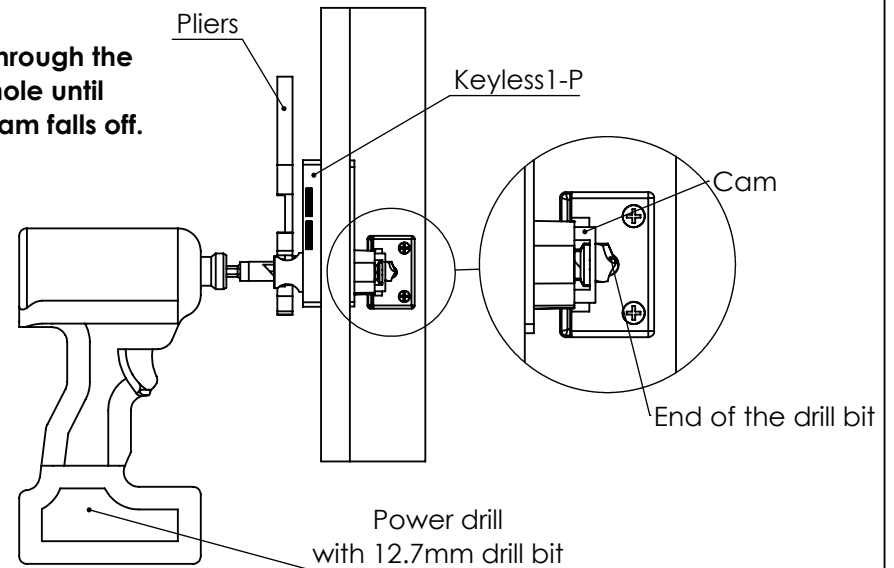
STEP1

Drill through the key hole while holding the knob with the pliers.



STEP2

Drill through the key hole until the cam falls off.



KEYLESS.CO

Office:+1.972.331.2770
info@keyless.co
www.keyless.co

DRAWING
SCALE 1:5

KEYLESS1-P EMERGENCY LOCK REMOVAL