

# KEYLESSH3HASP ARCHITECTURAL SPECIFICATIONS

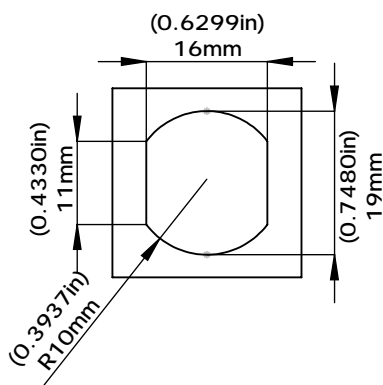


MODEL:  
**KEYLESSH3HASP-SN**  
SATIN NICKEL

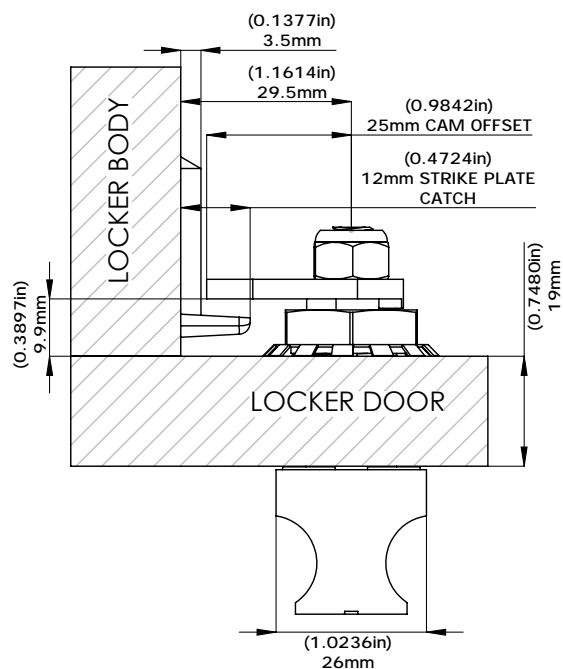
## SPECIFICATIONS

- Shared (temporary) or assigned (permanent) use
- Compatible with wood, glass, plastic, phenolic & metal locker doors
- Zero operating expenses - No batteries or wires
- LEED V4 certified - adds 2 LEED credits
- 1-year comprehensive warranty
- Anti-pick and tamper resistant
- Lock is designed with an integrated rotation system. With the presence of a padlock the lock will remain locked, continuously spinning to avoid forced entry and tampering.
- Ergonomic non-slip grip with a one step twist-and-pull operation.
- The hasp accepts padlock shackles between 4mm to 8mm thick.
- IP69K - Complete dust and water resistance
- Strong 100% metal for long-term heavy-use - no plastic components
- Accommodates doors 1-19mm thickness
- Satin Nickel Finish
- Standard cam offset 25mm (additional cam offsets available).
- **Immediate live response during business hours - no run around.** [sos@keyless.co or 972.331.2770]

### LOCK ROUTING



### TOP VIEW 1-19mm THICK DOOR



Manufactured By:

**KEYLESS.CO**

1825 W. Walnut Hill Ln., Suite 102, Irving, TX 75038, USA | +1 972-331-2770 | info@keyless.co | www.keyless.co